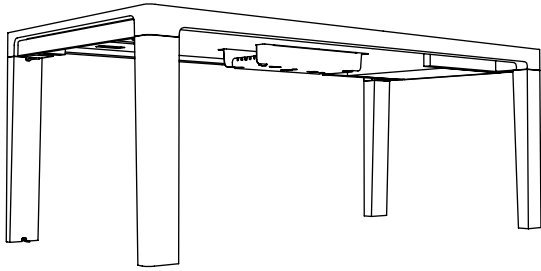


SHIFT SERIES

Product Specification Sheet



This document contains technical information about the Shift Series



Description

The SHIFT Table merges everyday living and working for the entrepreneurial nomad. When you want to switch quick and easily between work and personal surrounding but 'connected'.

The design of the table oozes "authentic modernism" using subtle lines to create an array of hidden functions. Despite the increasing battery life of our notebooks, tablets and smart phones, it is still indispensable to keep them charging regularly, making those sloppy-looking cables unavoidable in your interior.

The Shift Table helps you keep unattractive cables out of sight while your devices can stay within reach, safely and effortlessly recharging in their own hidden place.

Specifications

Tabletop
Premium Solid Wood 40mm

Base
Premium Solid Wood

Accessible electrification
Various options

Including felt gliders

Pre assembled: No

Materials

Solid premium Oak, Walnut or ash wood

Oiled or stained colours and finished in satin matt lacquer

Customizable

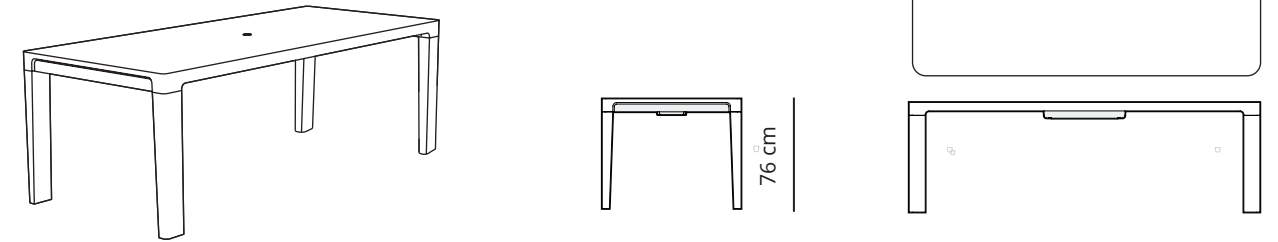
View the full color overview on our website or download the material information sheet.

The complete Shift Series offers a broad range of furnishing options for both private and public spaces. The Shift models can be equipped with electrification applications, such as wireless charging or powersupply.

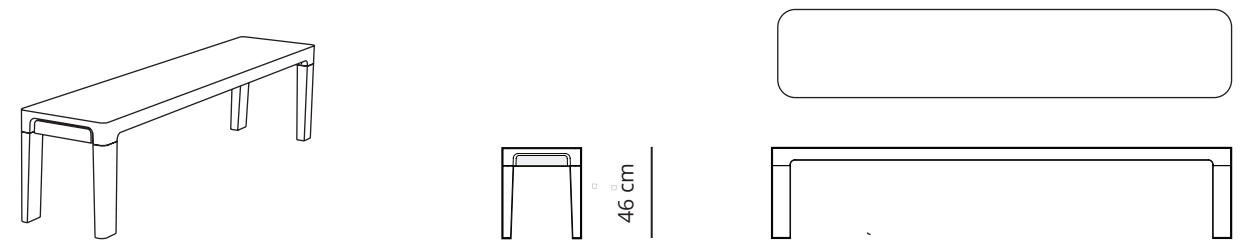


Configurations

Table 76 cm high



Bench 46 cm high



All our solid wood tables and benches are made to measure and can be manufactured in (all) custom sizes.

Example dimensions



Table

Length: 160cm x Width: 95cm x Height: 76cm
Length: 180cm x Width: 95cm x Height: 76cm
Length: 200cm x Width: 95cm x Height: 76cm
Length: 220cm x Width: 95cm x Height: 76cm
Length: 240cm x Width: 95cm x Height: 76cm
Length: 260cm x Width: 95cm x Height: 76cm
Length: 280cm x Width: 95cm x Height: 76cm
Length: 300cm x Width: 95cm x Height: 76cm
Length: 320cm x Width: 95cm x Height: 76cm

Bench

Length: 150cm x Width: 40cm x Height: 46cm
Length: 170cm x Width: 40cm x Height: 46cm
Length: 190cm x Width: 40cm x Height: 46cm
Length: 210cm x Width: 40cm x Height: 46cm

All our solid wood tables are made to measure and can be manufactured in (all) custom sizes.

Cable management & electrification packages

Table 'Standard'

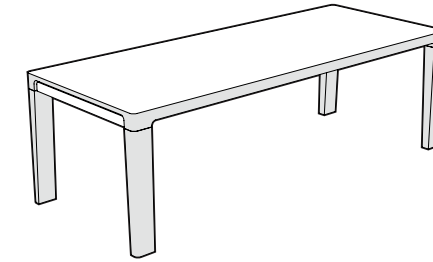
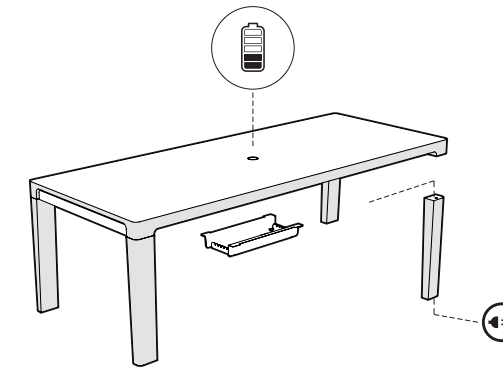
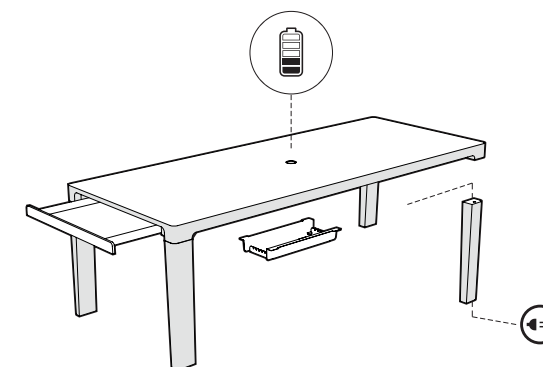


Table 'Electrification package'



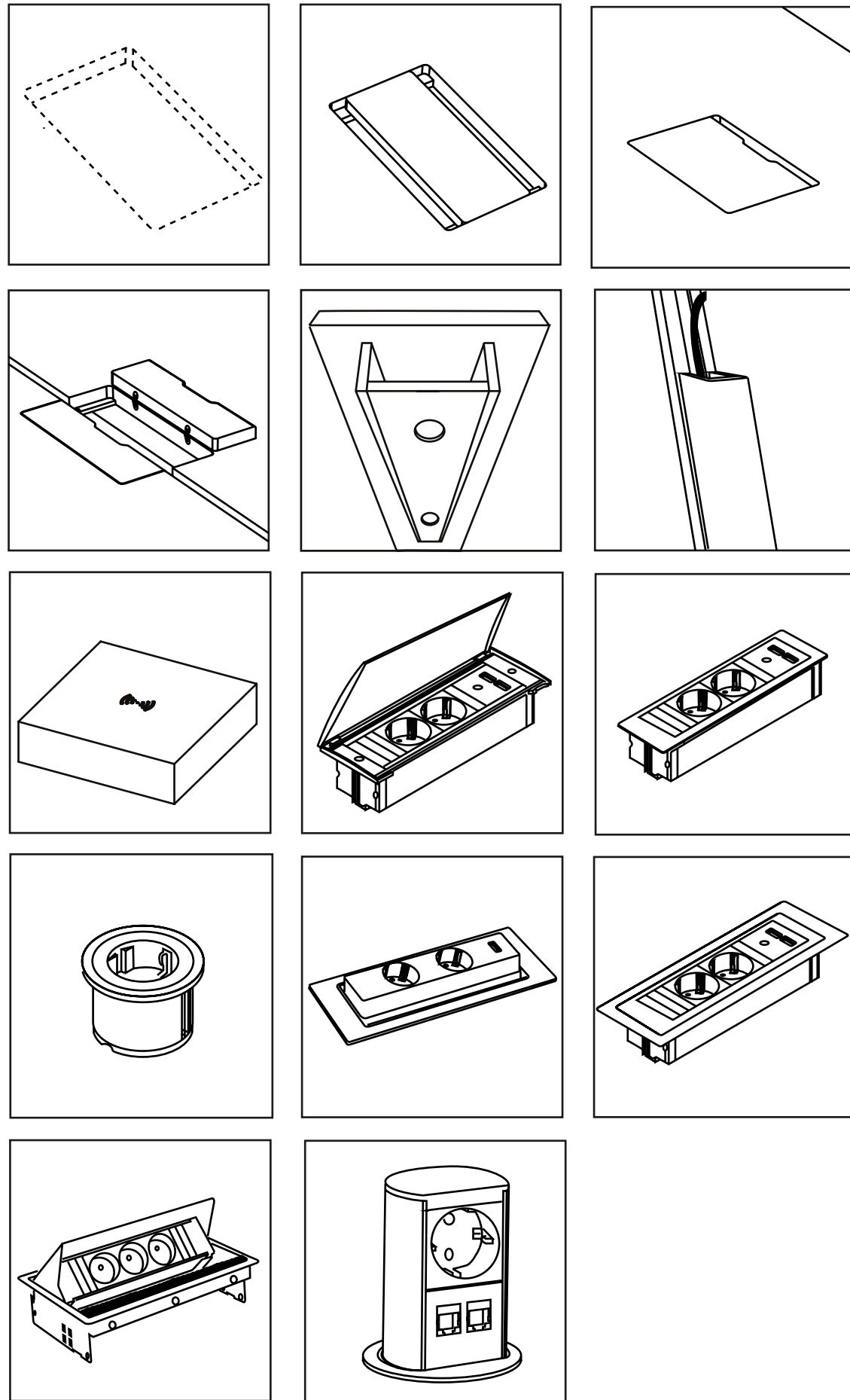
- + WIRELESS CHARGING
- + CENTRAL HUB
- + CABLESLOT/CANAL IN LEG

Table 'Electrification package' incl. drawer

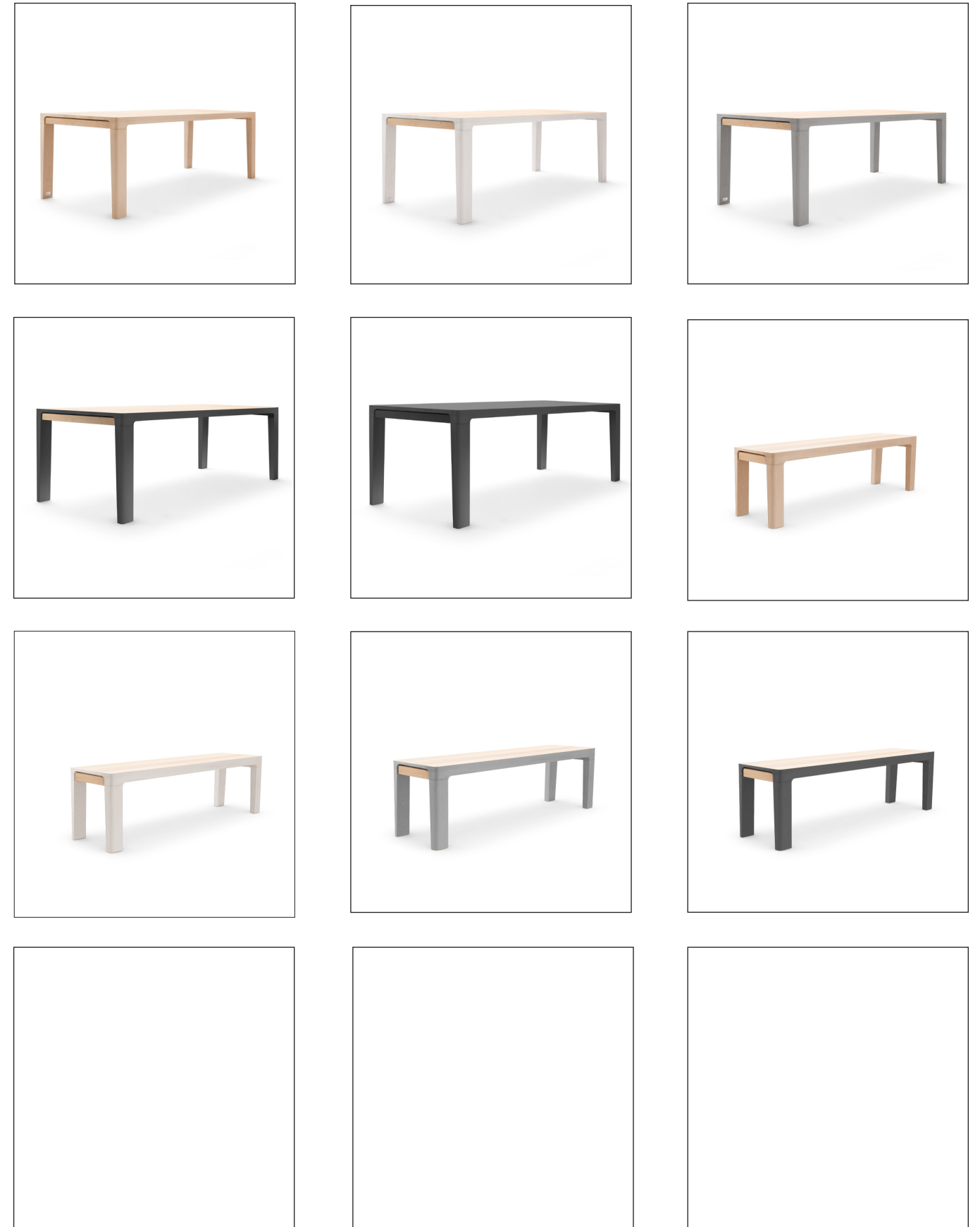


- + 1 SIDE DRAWER
- + WIRELESS CHARGING
- + CENTRAL HUB
- + CABLESLOT/ CANAL IN LEG

Cable management & electrification options



Configurations

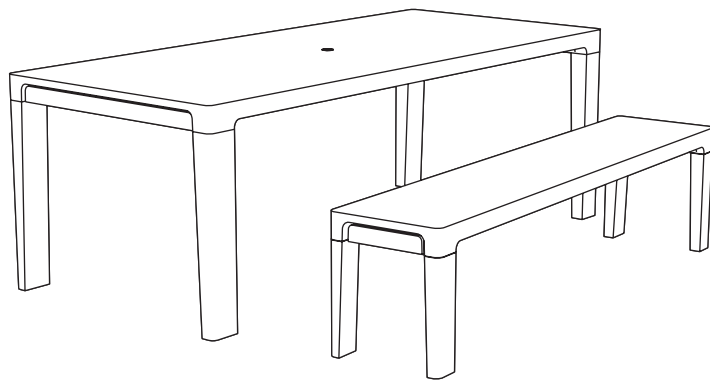


Case studies



Case studies





SUPPORT

We are here to help.
If you have any questions,
please don't hesitate to contact us.

E-MAIL

info@spell-furniture.com

PHONE

+31 (0) 344 842765

spell[®]

© Spell B.V. All rights reserved